

MAX T8

Ex-e hazardous area luminaire for fluorescent tubes



MAX T8 2 x 18W
with emergency



MAX T8



Description

MAX T8 is an Ex e high quality longlife luminaire. The luminaire has a hinged geartray for easy maintenance.

The luminaire housing is made of Galfan (Z) or acid resistant steel (S), with white stove enamelled epoxy/polyester powder finish. Housing of Galfan (Z) is not suitable for marine outdoor installation. The cover is made of impact-proof polycarbonate. The emergency model is supplied with an external battery box for lower temperature of the battery to increase the lifetime in warm areas. Emergency light versions (18W and 36W) are available with 1.5 or 3-hours battery duration (T4).

MAX T8

Ex-e hazardous area luminaire for fluorescent tubes

Technical description

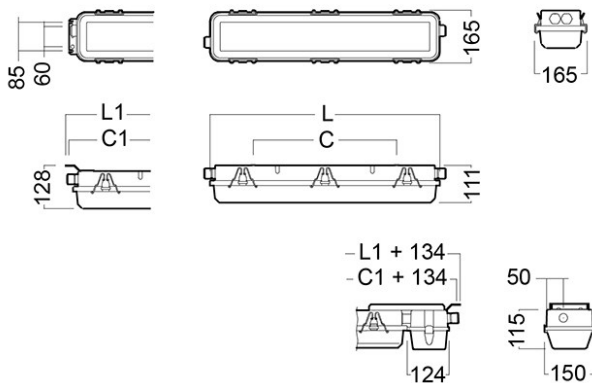
Light source	<p><u>T8 version:</u> Two tubes T26 (T8), 18 or 36W. Variants with light sources mounted available on request. Ex-approved lamp holders.</p> <p><u>LED version:</u> LED tubes designed for MAX fixtures. Tubes are with opal diffuser for evenness light output looking similar to fluorescent tubes. Tubes are moulded for Zone 1 operation. Can be delivered in different colour temperatures. Normally type cool white</p>	Design	According to IEC, Ex and maritime requirements
		Approvals	ATEX, IECEx and CSA approved
		Finish	Powder coated white RAL9016 in gloss 90 for easy maintenance.
Optic	<p><u>T8 version:</u> Diffuser in moulded impact-proof UV-resistant polycarbonate. Gasket in silicone moulded into the diffuser. Reflector on request.</p> <p><u>LED version:</u> Diffuser in moulded polycarbonate with self-locking clips. White painted cover plate between components and light sources.</p>		<p><u>T8 version:</u> Fixed end brackets as standard. Also available with M8 hood nuts for fixing on request.</p> <p><u>LED version:</u> To be mounted on ceiling, cable trays or brackets welded to building construction.</p>
Electric	<p><u>T8 version:</u> With Ex-certified electronic ballast (HF). All electric components are mounted on a hinged geartray for easy maintenance. Ex micro-switches disconnecting the mains are operated by diffuser and make lamp replacement possible without disconnecting the circuit. Emergency versions available. AC 110 - 250V ± 10%, 50/60Hz.</p> <p><u>LED version:</u> LED-tubes developed for optimum heat transmission from LED light sources. Electronic for LED in moulded housing meeting Ex-requirements and for maximum resistance regarding vibration and moisture. LED-tubes are fixed to gear tray and connected by 2 wires to driver. No lamp base</p>		<p><u>T8 version:</u> One Ex cable gland and one blind plug each end (M20 or M25). Other gland configurations also available. One 6-way Ex screw terminal block 6 mm² with special earth clamp for armoured cable each end. Through wiring (TW) 6 x 2.5 mm² as standard.</p> <p><u>LED version:</u> One cable gland and one blind plug at each end as standard. One 6-way Ex screw terminal block 6mm² each end. Through wiring 6 x 2,5 mm².</p>
Housing	MAX S with housing in deep drawn stainless steel (AISI 316) for outdoor marine environment. IP66/67 Variants with housing in Aluzinc (MAX Z) for non corrosive environments.		
Application	For mounting indoor and outdoor in Zone 1 areas		

MAX T8

Ex-e hazardous area luminaire for fluorescent tubes

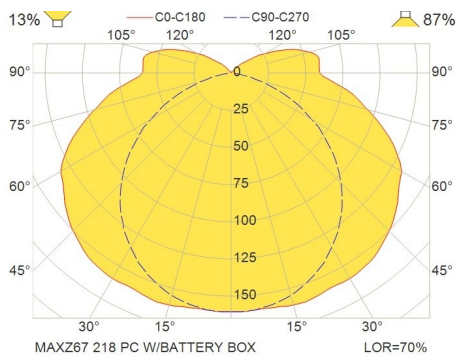
Measurement drawings

Wattage	L1	C1	L	C for Hood nut
18W	724	704	681	On request
36W	1334	1314	1291	On request
58W	1634	1614	1591	On request



MAX T8

Light measurement drawings



MAX T8

Ex-e hazardous area luminaire for fluorescent tubes

Explosion drawings

